



Bobcat®

AGRICULTURAL TELESCOPIC LOADERS

AGRI



3 YEAR WARRANTY



One Tough Animal™

BOBCAT TELESCOPIC CENTER OF EXCELLENCE WITH MORE THAN 50 YEARS OF EXPERIENCE

All Bobcat telescopic loaders are designed and produced at our Center of Excellence in Pontchâteau, France. With more than 50 years of experience in creating material handling machines, this ISO 9001 certified factory applies the outstanding Bobcat Quality standards.



With a high level of technological integration from boom and frame welding to machine final assembly, our productivity and quality are ensured by modern production equipment such as welding robots, shot-blasting line, two-layer paint booth, and world-class components integration.

Each machine produced in this factory goes through a rigorous and extensive testing process before delivery, including: regulatory checks, performance compliance, quality inspections and all machine functionalities.



OUR STANDARD 3-YEAR MANUFACTURER WARRANTY BENEFITS YOU IN MANY WAYS*

With 50 years of experience in compact equipment design, Bobcat has a proven reputation for high quality standards and best-in-class technologies.

Every day, all of our energy is focused on delivering high-quality products through selection of leading and proven suppliers, integrated design, reliability/endurance testing, and a manufacturing process in which 100% of our production units are individually checked and quality approved.

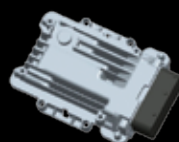


The level of excellence achieved on Bobcat Telescopic Handlers leads Bobcat company to offer a 3-year standard warranty (or 3000 hours, whichever occurs first).

Efficient and Reliable, a Bobcat Telescopic Loader is built to last and to do the job every day as a real partner.

NEW BOBCAT STAGE IV ENGINES: HIGH PERFORMANCE AND EXTREME RELIABILITY!

Common Rail



Engine Control Unit (ECU)

High Pressure Pump



* DIESEL PARTICULATE FILTER *

Bobcat has designed its own Stage IV turbo-charged engines from Telescopic Loader user requirements: adapted performances, extreme reliability, low fuel consumption and cost-effective maintenance.

All features in a compact design for higher visibility. Our in-house Center of Excellence for engines has extensive experience:

- 50 years of Engine Group experience in engine development, combined with 50 years of experience in compact equipment development.
- More than 1.5 million engines produced as top OEM manufacturer for a variety of industries: industrial machines, military vehicles, commercial vehicles, power generation, marine, ... Designed in collaboration with some of the world's top engineering consultants and engine design firms.

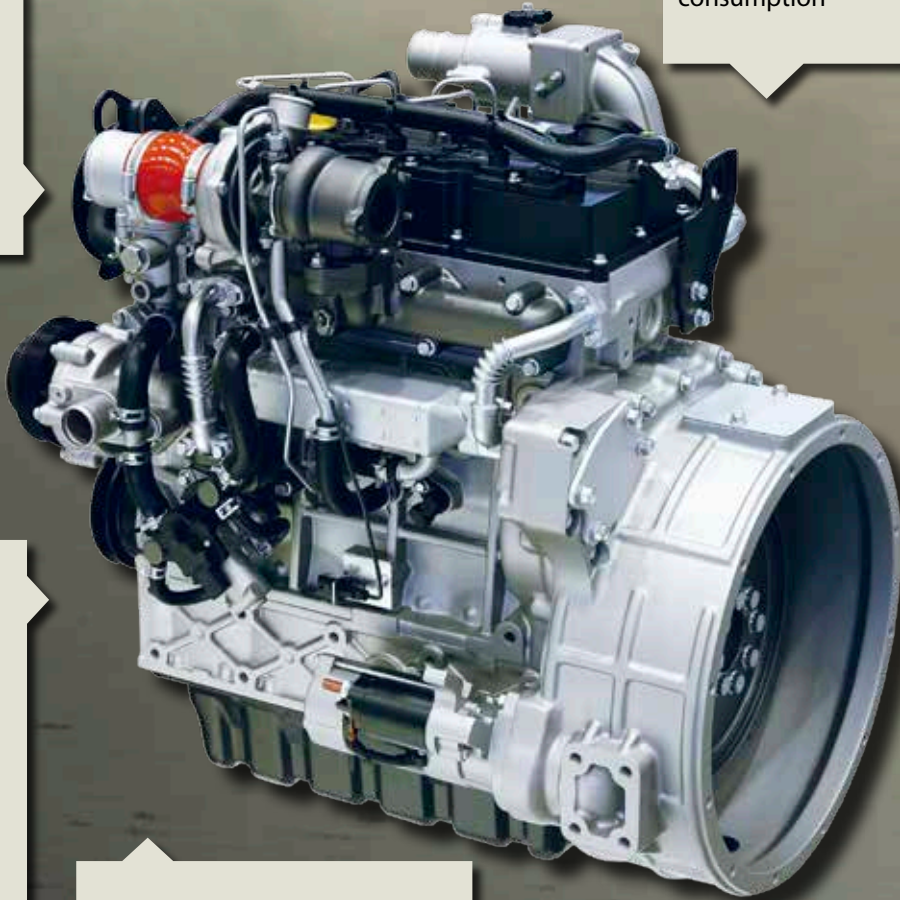
ENGINES		HIGHLY REGULATED COUNTRIES			LESSER REGULATED COUNTRIES	
		BOBCAT D34 75 HP	BOBCAT D34 100 HP	BOBCAT D34 130 HP	PERKINS 1104D-44TA 100 HP	PERKINS 1104D-E44TA 130 HP
Emissions		Stage IIIB/Tier 4 Final	Stage IV/Tier 4 Final	Stage IV/Tier 4 Final	Stage IIIA/Tier 3	Stage IIIA/Tier 3
Rated power (ISO 14396)	kW (HP)	55.2 (75) @ 2400 rpm	74.5 (100) @ 2400 rpm	97 (130) @ 2400 rpm	74.5 (100) @ 2200 rpm	96.5 (130) @ 2200 rpm
Max torque	Nm	325 @ 1400 rpm	430 @ 1400 rpm	500 @ 1400 rpm	410 @ 1400 rpm	516 @ 1400 rpm
Fuel / Cooling		Diesel / Liquid				
Number of cylinders		4	4	4	4	4
Displacement	l	3.4	3.4	3.4	4.4	4.4
Fuel injection		Electronically controlled + High Pressure Common Rail			Mechanically controlled	
After-treatment system - Without Diesel Particulate Filter (DPF)	DOC Diesel Oxidation Catalyst	■	■	■	-	-
	EGR Exhaust Gas Recirculation	■	■	■	-	-
	SCR & AdBlue Selective Catalytic Reduction with AdBlue injection	-	■	■	-	-

■ standard - not available

Mastered costs of ownership

Lower fuel consumption, no downtime, lower maintenance costs...

Designed with latest technologies
Turbo-charged air management + High Pressure Common Rail with electronic regulation = enhanced performance and lower fuel consumption



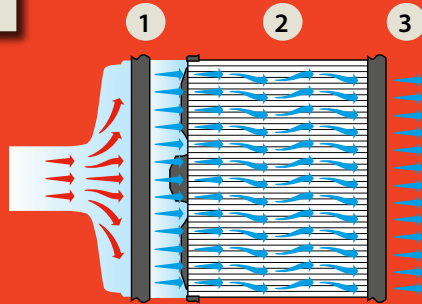
Field proven

Already several tens of thousands of units being used with high customer satisfaction

High power output and high low-end torque

Patented Ultra Low Particle Combustion technology
No DPF

Bobcat engineers have worked intensively to design a compact engine while maintaining high performance and allowing easy access to main maintenance points.



Incorporated cyclonic air pre-filter for efficient filtration in dusty environments and longer service life thanks to:

- 3-step filtration
- Pre-cleaners (1) which remove up to 95% of dust before reaching filters
- Easy access & filter replacement
- Straight air flow path allowing filter media to be packaged in a smaller space efficient profile with easier serviceability



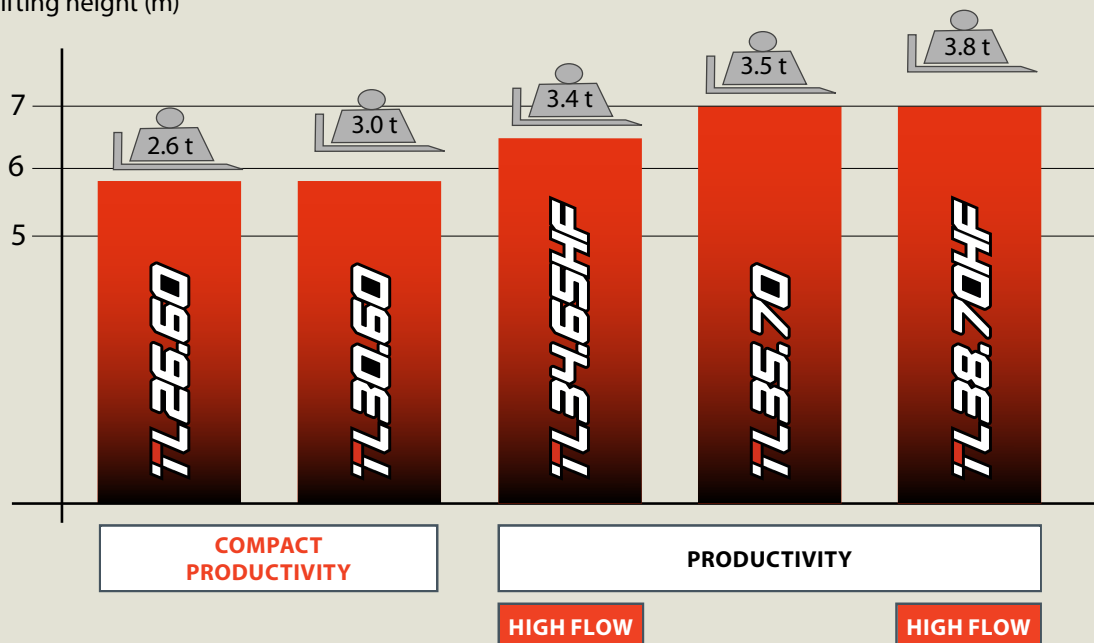
BOBCAT TELESCOPIC LOADERS: YOUR PROFESSIONAL PARTNER IN FARMING

Telescopic Loaders designed around you

Bobcat has more than 50 years of experience in designing top-class compact equipment. Bobcat Telescopic Loaders are designed to excel in the most demanding agricultural applications. These versatile machines incorporate all the benefits of our long experience and dedication to constant improvement. They combine tried and tested principles with innovative design, state-of-the-art technologies and a commitment to meeting the ever-growing demands of your working day. The Bobcat TL range delivers all the power needed in a compact, strong and agile machine, developed with the operator right at the centre of the design.



Lifting height (m)



Max. lift capacity (ton)



**COMPACT
PRODUCTIVITY**



PRODUCTIVITY



**PRODUCTIVITY &
HIGH FLOW**

COMPACT PRODUCTIVITY

A compact format means a narrow frame (2.10 m) and an overall height adapted to your needs. Four versions available, according to the cab position and the tyre size.



**Panoramic style cab
available in two heights**

TL26.60

Bobcat know-how on all TL models*

- Quick-Tach tool carrier
- Auxiliary functions
- Fast Coupling System (FCS)
- Boom cushion
- Intuitive controls & multifunctional joystick
- Auto fan inverter
- Auto parking brake

The best of Bobcat in a compact format

TL30.60

**75 hp or 100 hp DPF-free
Bobcat Stage IV engine****

**Compact 2.10 m
overall width**



20" tyres / Low Cab: 2.10 m
24" tyres / Low Cab: 2.18 m

20" tyres / High Cab: 2.25 m
24" tyres / High Cab: 2.33 m



PRODUCTIVITY & HIGH FLOW



TL35.70



TL34.65HF

A real concentration of Bobcat technology



TL38.70HF

- Powerful fully automatic hydrostatic transmission
- Efficient lifting performance with Power lift technology
- High visibility engine hood
- Box-welded frame & shielded bottom plate
- High comfort air seat with dual suspension

100 hp & 130 hp DPF-free Bobcat Stage IV engine**

Patented asymmetric cab with pillarless rear window

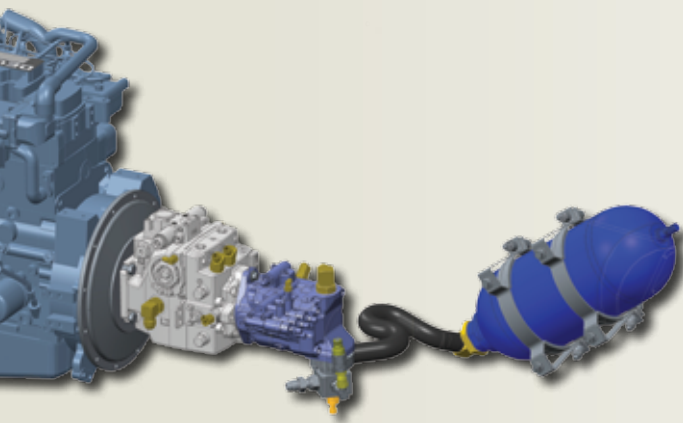
Powerful hydrostatic transmission with 2-speed gear box



GREATER PRODUCTIVITY

Power Lift - efficient lifting technology

- Technology that is unique in the market, with optimal use of hydraulic flows between telescopic boom cylinders
- Increased lifting capacities
- Reduced power consumption



HF

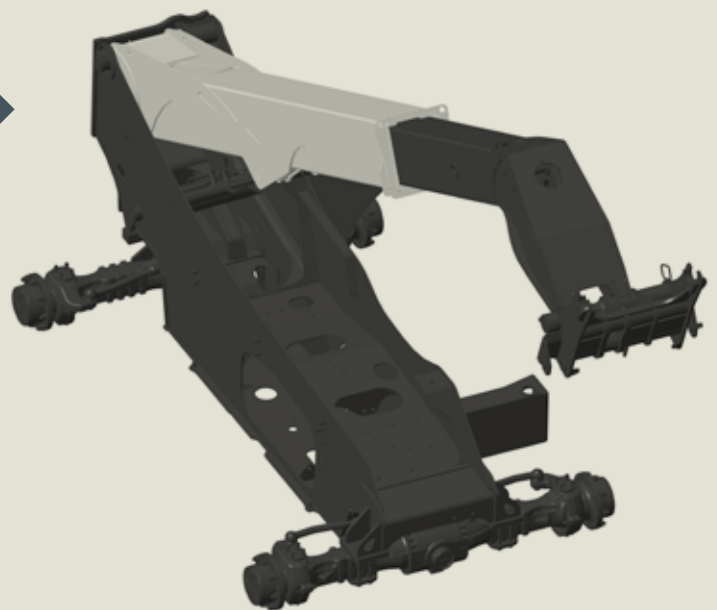
High Flow technology gives you the extra power you need to get the most demanding jobs done, thanks to best-in-class boom cycle times. You can raise productivity even with low engine rpm: the Load Sensing pump supplies 190 l/min at 250 bars (150 l/min for the auxiliary line).

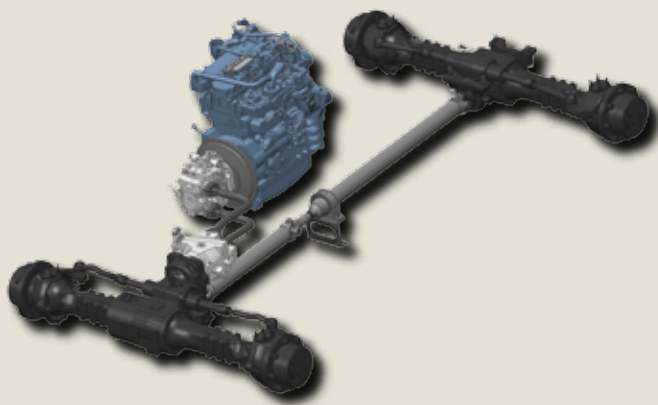
When all hydraulic functions are used simultaneously, the Quick-start and flow-sharing systems supply the full oil output immediately for optimum productivity.

Shielded design

Box welded frame to meet heavy load cycles, with bottom plate along the entire length to protect vital parts.

High tensile steel boom and submerged-arc welding for optimal resistance. Over-large boom head withstands heavy loading jobs.





TL26.60 TL30.60

TL34.65HF TL35.70 TL38.70HF

Heavy-duty hydrostatic transmission

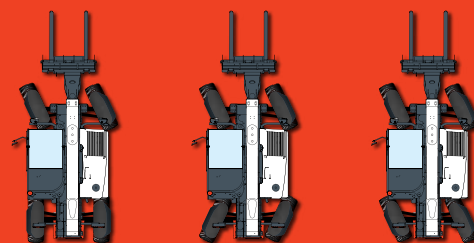
Delivers power quickly, when you need it, with high wheel torque for digging and pushing. Operation is safe and easy, with many additional features to help you get the job done efficiently:

- Smoothest 0-40 km/h stepless driving experience
- Two speed ranges with shift-on-the-fly on compact productivity models (TL26.60, TL30.30)
- Additional 2-speed gear box on Productivity models to optimize speed and torque (TL34.65HF, TL35.70, TL38.70HF)
- Inching function allows smooth speed reduction at full engine rpm
- Auto-shift speed functionality during heavy load conditions
- Speed Management System (SMS)



3 steering modes

- 2-wheel steering
- 4-wheel steering
- Crab-steering



Semi-automatic wheel realignment

Provides automated assistance to the operator ensuring the wheels are always aligned when changing between the 3 steering modes.



GREATER EFFICIENCY

Boom Suspension System (BSS)

More comfort and increased load retention when driving fast or on uneven ground, with or without a load. Unique dual pressure system for optimum boom suspension. You can work longer with less fatigue and greater productivity.



Auto fan inverter & variable rotating fan

For efficient cleaning of radiators and air intake grill, this system reverses the air-flow according to the cycle you set on the display -- and, whenever you need to, you can still activate it by simply pushing a button.

Variable rotating fan adjusts its speed according to the cooling need -- for less noise and optimized fuel consumption.



Speed Management System (SMS)

Keep up the revs when you have to move slowly! With the Bobcat Speed Management System (SMS), you can adjust your travel speed independently of your engine speed.

Set your engine speed to the optimal setting for the attachment you are operating, then dial in your desired travel speed. It's especially helpful when operating attachments that require a slow and constant travel speed while maintaining high engine speeds.



Boom cushion

Handling loads can be tricky, even for experienced operators. For your comfort and safety, Bobcat helps you with a boom cushion system that allows a smoother motion when the boom is close to min and max angles, or close to full retraction.

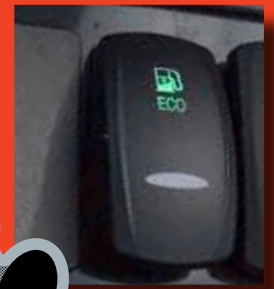
Smart Handling System (SHS)

A unique system to combine productivity and precision. You set the Boom speeds (lifting, telescoping, tilting) to adapt the machine to your work. Ideal feature when high engine power and precise boom motions are required.



ECO mode

ECO mode maintains hydraulic performance without using the engine's full power – so you reduce fuel consumption while working effectively. (Standard features available with Stage IV engine.)



Bobcat built-in auxiliary line & Fast Connect System (FCS)

Hydraulic quick couplers with integrated pressure-release system, drain line and electric socket are conveniently mounted on the boom head and well protected.

Auxiliary Flow Management (AFM)

Operator can easily adjust the hydraulic flow from the joystick and engage the continuous flow (if required).

UNRIVALLED DRIVE EXPERIENCE

Welcome on board!

Simplicity and intuitiveness are the watchwords when we design Bobcat Telescopic Loaders, which is why they have gained such a great reputation as user-friendly and efficient machines. One step access to the spacious cab, comfortable seat, panoramic visibility, intuitive multifunctional joystick -- ergonomic controls are well-identified, backlit and positioned logically.

High-comfort air-suspension seat

Dual suspension and low frequency air seat allows the operator to stay comfortable during a long day's work, whatever the ground conditions.



Panoramic vision

By ensuring that operators are always fully aware of their surroundings, our panoramic cab design and low profile engine hood promote much smoother working processes, higher productivity and greater safety.

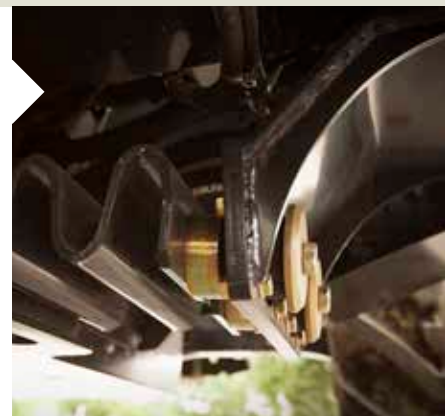
Automatic parking brake

Enhanced safety & operator convenience in everyday operations. Activation when engine is off or at low idle with speed unengaged. Think only about important things: your work!



Cab Suspension

Z Link shock absorber enhanced drive comfort. Feature available on TL26.60 & TL30.60





Multi-functional joystick

Perfect control positions on the joystick, everything is under control while you keep your eyes on your work.



1. Boom Suspension System (BSS)
2. Boom in/out
3. Settings (SMS, SHS, AFM)
4. Front / Neutral / Reverse
5. Auxiliary hydraulic line



User-friendly electronic dashboard

Engine or job hours, vehicle or engine speed, boom angle, speed management, auxiliary hydraulic flow setting, permanent flow, and more...

At the touch of a button, you have a clear, easy-to-read overview of all operating parameters.

BOBCAT ATTACHMENTS: BEST FIT FOR BOBCAT TELESCOPIC LOADERS

Quick-Tach & Power Quick-Tach

Quick-Tach easy yet powerful mounting system allows attachments to be mounted and dismounted quickly by the operator. With Power Quick-Tach, he can even change non-hydraulic attachments without leaving the cab.

Save time on every job site and use the outstanding versatility of Bobcat Telescopic Loaders.



A WIDE RANGE OF ATTACHMENTS TO MEET YOUR DAILY JOB!



OPTIMUM TOWING SOLUTION



	FIXED TOW HITCH		ROTATING TOW HITCH		ROTATING TOW HITCH WITH HEIGHT ADJUSTMENT		HYDRAULIC PICK-UP TOW HITCH	
	Max towable mass (may change according to country legislation)							
	without trailer brake	with trailer brake	without trailer brake	with trailer brake	without trailer brake	with trailer brake	without trailer brake	with trailer brake
TL26.60 TL30.60	3.5 t	17.0 t	3.5 t	17.0 t	3.5 t	17.0 t	3.5 t	17.0 t
TL34.65HF TL35.70 TL38.70HF	3.5 t	19.0 t	3.5 t	19.0 t	3.5 t	19.0 t	3.5 t	19.0 t



Fixed tow hitch



Rotating tow hitch



Rotating tow hitch with height adjustment



Hydraulic pick-up tow hitch

TECHNICAL SPECIFICATIONS

	UNIT	TL26.60	TL30.60	TL34.65HF	TL35.70	T38.70HF
PERFORMANCE						
Maximum lift capacity	kg	2600	3000	3400	3500	3800
Maximum lift height (20"/24" tyres)	mm	5800 / 5890	5800 / 5890	6331 / 6415	6889 / 6975	6889 / 6975
Maximum forward reach (20"/24" tyres)	mm	3100 / 3010	3100 / 3010	3365 / 3282	4002 / 3915	4002 / 3915
Crowding force	daN	4600	4600	6200	6200	6200

WEIGHTS						
Weight (unladen)	kg	4900	5320	6360	7135	7245

ENGINE						
BOBCAT D34 - 75 HP - Stage IIIB/Tier 4 Final		■	■	-	-	-
BOBCAT D34 - 100 HP - Stage IV/Tier 4 Final		■	■	-	■	-
BOBCAT D34 - 130 HP - Stage IV/Tier 4 Final		-	-	■	-	■
PERKINS 1104D-44TA - 100 HP - Stage IIIA/Tier 3		■	■	-	■	-
PERKINS 1104D-E44TA - 130 HP - Stage IIIA/Tier 3		-	-	-	-	■

DIMENSIONS						
Standard tyres (AGRI version)		405/70-20 (400/70 R20 XMCL)	405/70-20 (400/70 R20 XMCL)	405/70-20 (460/70 R24 XMCL)	405/70-20 (460/70 R24 XMCL)	405/70-20 (460/70 R24 XMCL)
Overall width	mm	2100	2100	2300	2300	2300
Overall length to forks face	mm	4507	4507	4669	4869	4869
Overall height	mm	Low Cab: 2100(20") / 2184(24") High Cab: 2250(20") / 2334(24")	Low Cab: 2100(20") / 2184(24") High Cab: 2250(20") / 2334(24")	2290(20") / 2374(24")	2290(20") / 2374(24")	2290(20") / 2374(24")
Ground clearance	mm	264(20") / 348(24")	264(20") / 348(24")	346(20") / 430(24")	346(20") / 430(24")	346(20") / 430(24")
Wheelbase	mm	2820	2820	2870	2870	2870
External turning radius (at tyres)	mm	3717(20") / 3875(24")	3717(20") / 3875(24")	3714	3714	3714
Internal turning radius (at cab)	mm	1329(20") / 1503(24")	1329(20") / 1503(24")	1092	1092	1092

- standard
- not available



	UNIT	TL26.60	TL30.60	TL34.65HF	TL35.70	T38.70HF
DRIVE SYSTEM						
Transmission		Hydrostatic with electronic regulation / 4 wheel drive				
Main drive		Hydrostatic motor		Hydrostatic motor + 2 speed gearbox		
Number of speeds		2	2	4	4	4
Max speed Low range with 24" tyres	km/h	10	10	10	10	10
Max speed High range with 24" tyres* (option and AGRI version)"	km/h	30 (40)	30 (40)	30 (40)	30 (40)	30 (40)

STEERING SYSTEM						
Steering modes		3 steering modes with semi-automatic wheel realignment: 2 wheel steering / 4 wheel steering / Crab-steer				

HYDRAULIC SYSTEM						
Pump type		Gear pump with LS valve		Load sensing pump	Gear pump with LS valve	Load sensing pump
Distributor		Electro-proportional with flow sharing				
Pump capacity (with 75 HP engine when available)	l/min	100 (80)	100 (80)	190	100	190
Working pressure	bar	250	250	255	255	255

BRAKING SYSTEM						
Service brake		Oil-immersed discs				
Parking and emergency brake		Passive brake with automatic activation				

	UNIT	TL26.60 / TL30.60	TL34.65HF	TL35.70	T38.70HF	
ENGINE						
Transmission	kW (HP)	55.2 (75)	74.5 (100)	97 (130)	74.5 (100)	97 (130)

HYDRAULIC						
Pump capacity	l/min	80	100	190	100	190

BOOM CYCLE TIMES						
Boom raising	s	6	5.3	4.9	8	4.9
Boom Lowering	s	4.2	4	4.3	6	4.3
Boom Extension	s	5.8	5	3.8	7.1	4.7
Boom retraction	s	3.3	3.6	3.7	6.5	4.8
Crowding	s	2.8	2.5	2.3	3	2.3
Dumping	s	2.4	2.4	2.5	2.7	2.5

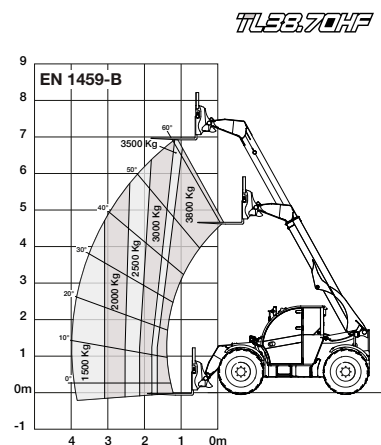
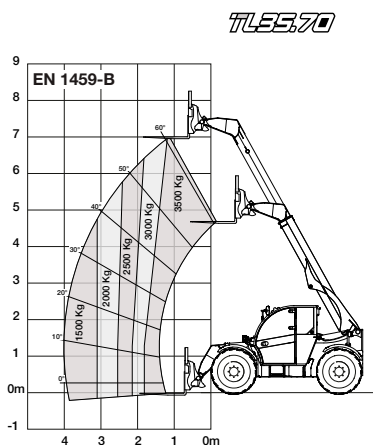
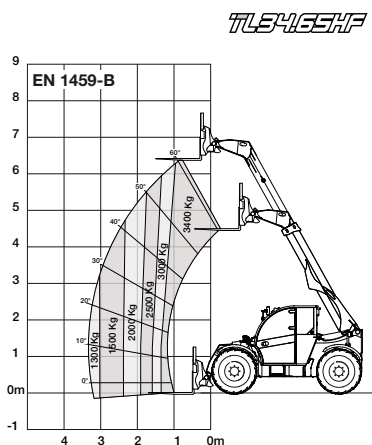
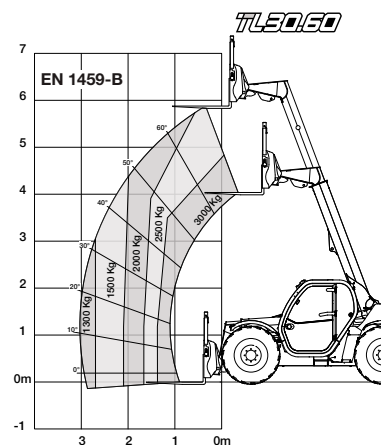
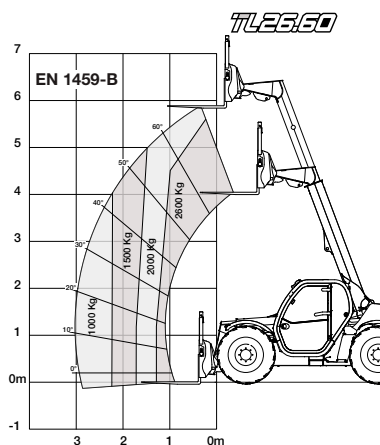
*models available in 55.2 kW/75 HP, speed reduced by 5 km/h



ROUGH TERRAIN LOAD CHARTS

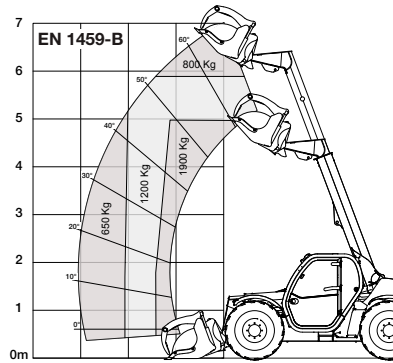
(COMPLIANT WITH EN1459-B)

Machine with forks
and 24" tyres

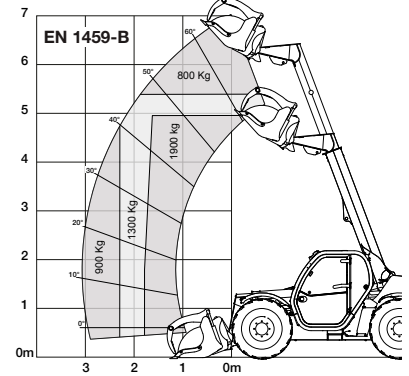


Machine with grapple bucket

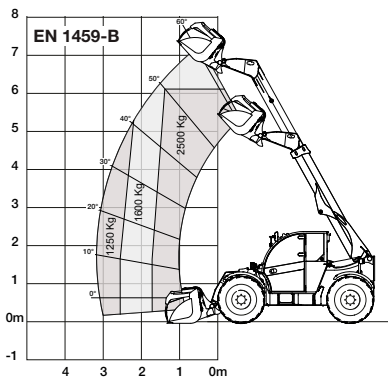
TL26.50



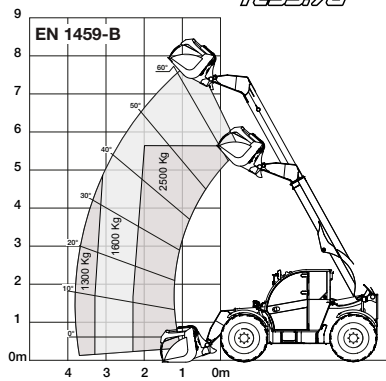
TL30.50



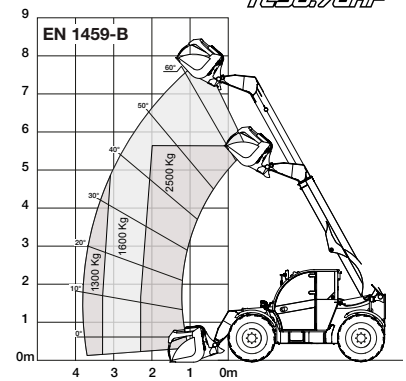
TL34.65HF



TL33.70



TL33.70HF



OUR MANUFACTURER KNOW-HOW IS YOUR ADVANTAGE!

Bobcat Financing Solutions

Bobcat is dedicated to offering financial solutions to end-customers through attractive retail finance programmes. Its financing division, Doosan Bobcat Financial Solutions, is active in more than 25 countries and offers tailor-made retail finance solutions according to country-specific market requirements. For more details on these programmes, please contact your local Bobcat dealer.

BobCARE PM

BobCARE PM is an efficient preventive maintenance programme for enhanced run time. Ask your dealer for the BobCARE PM customer guide.



BobcatVision

BobcatVision is a synthesis tool that allows you to properly manage your Bobcat machines and your service team. This is the 21st century way to manage fleets of machines and services: protect against theft, manage fleets, reduce cost, increase sales revenue, optimise service, improve control, increase customer satisfaction and support maintenance contracts.



MAXIMISED UPTIME

Full supporting Bobcat service:

No other manufacturer provides so many job-proven features to give you more uptime in the field. Features such as electronic battery switch and onboard diagnostics make the Bobcat telescopic handler more reliable and ensure that you can keep working right through until the job is done. And maximum uptime doesn't just mean you can stay in the field longer – it also protects your investment by contributing to a higher resale value.



The service you trust from the dealer you know

- You'll have total peace of mind thanks to Bobcat's skilled and extensive dealer network and regular technical training programme.
- Bobcat dealers offer a maintenance contract adapted to your needs.

Easy maintenance

Minimised downtime gives you the edge when it comes to productivity. Time spent on routine maintenance makes a big difference, so we keep it quick by making sure you have easy access to the key maintenance components.

STANDARD AND OPTIONAL EQUIPMENT

	TL26.60 TL30.60	TL30.60 AGRI	TL34.65HF TL35.70 TL38.70HF	TL34.65HF AGRI TL35.70 AGRI TL38.70HF AGRI
FRONT SIDE				
Quick-Tach carriage with manual attachment lock	■	■	■	■
Auxiliary hydraulic line with quick couplers and Fast Connect System (FCS)	■	■	■	■
Boom cushion	■	■	■	■
Boom wiring harness and controls in cab	□	■	□	■
Work lights on boom (x2)	□	■	□	■
Front tow hitch	□	□	□	■
Quick-Tach carriage with hydraulic attachment lock	□	□	□	□
Competitive carriage with manual or hydraulic attachment lock	□	□	□	□
CAB				
ROPS / FOPS Cab with tinted glass	■	■	■	■
Full pack of safety equipment: Aggravating Movement Arrester (EN15000), road lights, rotating beacon, front and rear wipers with washer, right and left side mirrors, inner rear mirror, back-up alarm	■	■	■	■
Work lights on top of the cab (2 front + 1 rear)	■	■	■	■
Multifunction joystick with proportional controls and forward/reverse drive	■	■	■	■
Automatic parking brake	■	■	■	■
3 steering modes with semi-automatic wheel realignment	■	■	■	■
Multifunction LCD screen	■	■	■	■
Speed Management System (SMS) to adjust max drive speed whatever engine RPM	■	■	■	■
Auxiliary Flow Management (AFM) to adjust and engage a continuous hydraulic flow	■	■	■	■
ECO mode for lower engine fuel consumption (except Stage IIIA engines)	■	■	■	■
Roof window wiper	□	■	□	■
Sun visor	□	■	□	■
PVC document holder	□	■	□	■
Loudspeaker ready	□	■	□	■
Automatic fan inverter	□	■	□	■
Suspension seat	■	-	■	-
High comfort air suspension seat	□	■	□	■
Boom Suspension System (BSS)	□	□	□	□
Air conditioning	□	□	□	□
Forward/reverse control on steering wheel lever	□	□	□	□
Forward/reverse control on joystick & steering wheel	□	□	□	□
Anti-theft ignition system with keypad	□	□	□	□
Protective grill for windshield	□	□	□	□
ENGINE & TRANSMISSION				
Electronic Battery Disconnection (EBD)	■	■	■	■
Built-in cyclonic air prefilter (Bobcat Stage IV engine)	■	■	■	■
Cyclonic air prefilter (Perkins Stage IIIA engine)	□	■	□	■
High speed transmission 40 km/h (with 24" tyres)	□	■	□	■
European tractor homologation	-	-	□	■
REAR SIDE				
Lockable fuel cap	□	■	□	■
Rear mirror (visibility on tow hitch)	□	■	□	■
Rear electric socket	□	■	□	■
Rotating tow hitch	□	■	□	■
Trailer brake valve	□	■	□	■
Support for registration plate	□	■	□	■
Rear hydraulic auxiliary line (double action)	□	□	□	□
TYRES				
405/70-20	■	-	■	-
400/80-24	□	-	□	-
Michelin - 400/80-24 POWER CL	□	-	□	-
Michelin - 400/70 R20 XMCL	□	■	-	-
Michelin - 400/70 R24 XMCL	□	□	-	-
Michelin - 460/70 R24 XMCL	-	-	□	■
Michelin - 500/70 R24 XMCL	-	-	□	□
Dunlop - 405/70-20 SPT9 MPT	□	-	□	-
Dunlop - 405/70-24 SPT9 MPT	□	-	□	-
Nokian - 480/65 R24 TRI STEEL	-	-	□	-
Michelin - 400/70 R20 BIBLOAD	□	-	-	-

- standard
- optional
- not available

Other options available, please contact your Bobcat dealer to know more.



Bobcat is a Doosan Company.

Doosan is a global leader in construction equipment, power & water solutions, engines, and engineering proudly serving customers and communities for more than a century. | Bobcat and the Bobcat logo are registered trademarks of Bobcat Company in the United States and various other countries.
©2016 Bobcat Company. All Rights Reserved.

**TALLERES
TURQUINO**
GRUPO EPROMEXT

RUA BELL 19, PARCELA 94 ESPIRITU SANTO
15650 CAMBRE (A CORUÑA)
+34 981 121 529



Bobcat®

www.bobcat.com

